



型号  
Model

**YH507**



**特性  
Main Features**

超小型设计, 重量极轻  
Ultra-miniature design, extremely light weight  
触点电流从1mA到1A  
Contact capacity from 1mA to 1A  
印刷板脚位符合2.54网格  
PCB terminal layout meets 2.54 grid  
UL, CSA认证  
UL, CSA approvals  
手提设备应用的理想选择  
Ideal for hand carrying equipment

**典型应用  
Typical Applications**

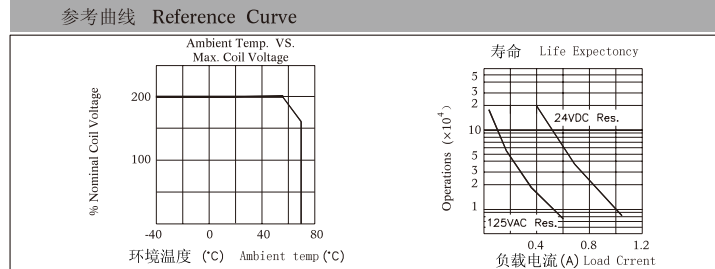
信号控制  
Signal  
电脑外设  
Computer peripherals

线圈参数 Coil Data					
线圈代号 Coil Voltage Code	额定电压 Nominal Voltage (VDC)	线圈电阻 Coil Resistance (Ω)±10%	功耗 Power Consumption (W)	最大吸合电压 Must Operate Voltage max. (VDC)	最小释放电压 Must Release Voltage min. (VDC)
003	6	60	0.15	2.4	0.3
005	5	167		4.0	0.5
006	6	240		4.8	0.6
009	9	540		7.2	0.9
012	12	960		9.6	1.2
024	24	3840		19.2	2.4

触点参数 Contact Data		
材料 Material	Ag; Au plated Ag	
起始接触电阻 Initial Contact Resistance	100MΩ, max, at 0.1A, 6VDC	
触点形式 Contact Form	一组转换Z 1 Form C	
额定负载 Rated Load	0.5A, 125VAC; 1A, 24VDC	
最大通断电流/电压 Max. Switching Current / Voltage	1A/125VAC; 60VDC	
最大持续电流 Max. Continuous Current	2A	
最大通断功率 Max. Switching Power	62.5VA; 30W	
最小负载 Min. Load	1mA/5VDC	
寿命 Sevice Life	机械 Mechanical	5 × 10 <sup>5</sup> ops.
	电气 Electrical	1 × 10 <sup>5</sup> ops.

特性参数 Characteristics		
吸合/释放时间 Operate / Release Time	5ms. max / 5ms. max	
绝缘电阻 Insulation Resistance	100MΩ, at 500VDC, 50%RH	
抗电强度 Dielectric Strength	线圈与触点间: 1000V 1分钟 Between coil and contacts: 1000 Vrms, 1min 触点与触点间: 400V 1分钟 Between open contacts: 400 Vrms 1min	
耐浪涌电压 Surfe Resistance	1500V 触点间 Between Coil and Contacts	
冲击 Shock Resistance	Functional: 10g, 11ms; Destructive: 100g 破坏性	
振动 Vibration Resistance	双振幅 DA 3.3mm, 10-55Hz	
环境温度 Ambient Temperature	工作与存储 Storage and Operating:	-40°C to 70°C;
重量 Weight	约 2.2g Approx 2.2g	

UL/CSA认可负载 UL/CSA Ratings		
触点形式 Contact form	1组转换 1 Form C	
阻性 Resistive	1A, 30VDC 0.3A, 60VDC	
通用 General Purpose	0.5A, 125VAC	



订货标志 Ordering Code

YH507/ 003- Z 1 A -P

型号 Model

线圈电压 Coil Voltage/ 见线圈参数表 See Coil Data

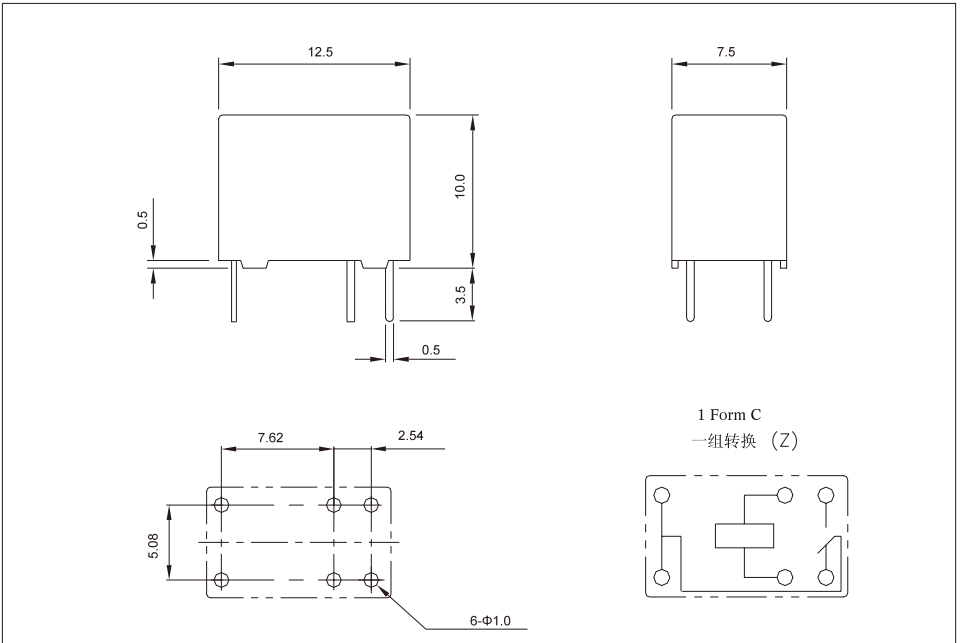
触点形式 Contact Form/ Z: 一组转换 1 Form C

封装形式 Version/ 1: 密封 Sealed

触点材料 Contact Material/ 无 Ni:Ag A: Au plated Ag

环保要求 Environmental Protection/ 无 None: 含铅 Lead; P: 无铅 (RoHS)

外形图, 底视开孔尺寸图, 接线图 Overall Dimensions, Mounting Holes (Bottom View), Wiring Diagrams



**说明 Notes:**

1. 以上参数除另有规定外均以室温23度为准。  
All parameters, unless otherwise specified, are measured at ambient temperature 23°C.
2. 型号对照 Equivalence: Matsushita HY, Omron G5V-1, Takamisawa SY, OEG TSC

本产品规格书仅供客户参考使用, 若有更改恕不另作通知  
This datasheet is for the customer reference. All the specifications are subject to change without notify