



型号
Model

YH508



**特性
Main Features**

同一外壳包含两个独立的继电器 (YH181)
2 independent relays (YH181) in one housing
超小型构造, 重量轻
Subminiatureized structure, light weight
触点容量高
Improved contact capacity
有大间隙型供电机大负载切换使用
Big gap type available for heavy motor load switching

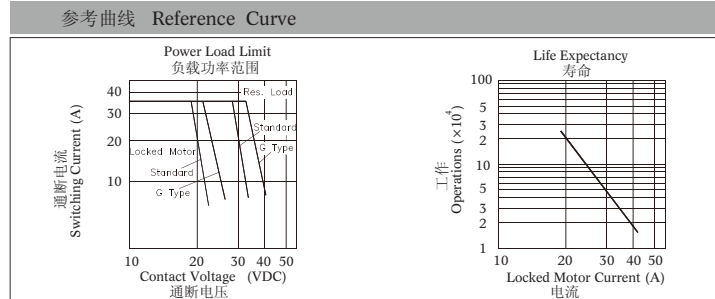
**典型应用
Typical automotive Applications**

自动升降拉杆天线
Power antenna
电动窗
Power window
雨刮控制
Interval wiper control
自动天窗
Sunroof control
倾斜锁轮
Tilt lock wheel
中控锁
Central door lock
座位调节
Seat adjustment

线圈参数 Coil Data					
线圈代号 Coil Voltage Code	额定电压 Nominal Voltage (VDC)	线圈电阻 (Ω)±10% Coil Resistance		最大吸合电压 Must Operate Voltage max. (VDC)	最小释放电压 Must Release Voltage min. (VDC)
		标准型 (0.6W) Standard	大间隙 (0.8W) Big Gap		
006	6	60	45	3.6	0.6
009	9	135	100	5.4	0.9
012	12	240	180	7.3	1.2
024	24	960	720	14.4	2.4

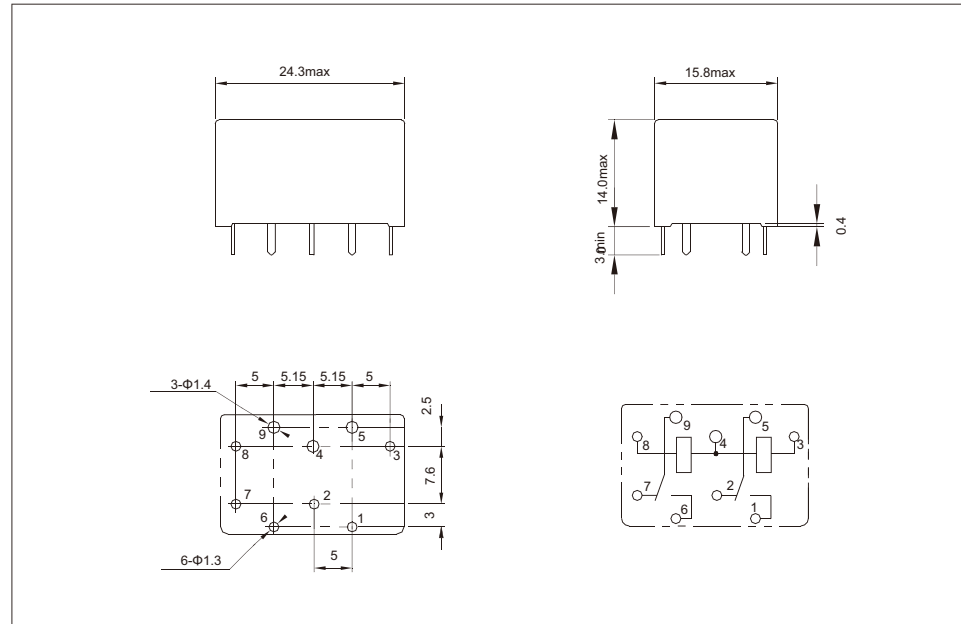
触点参数 Contact Data			
材料 Material	AgNi0.15; AgSnOInO; AgCdO; AgNi10		
起始接触电阻 Initial Contact Resistance	100mΩ, max, at 0.1A, 6VDC		
触点形式 Contact Form	二组转换 2Z 2 Form C		
额定负载 Rated Load	接通 Make	60A	
	断开 Break	20A	
最大持续电流 Max. Continuous Current	35A/10min; 25A/1Hr		
最大通断电压 Max. Switching Voltage	16VDC		
最小负载 Min Load	AgNi0.15: 0.1A/5VDC; AgSnOInO: 0.5A/5VDC		
寿命 Service Life	机械 Mechanical	1×10 ⁷ ops.	
	电气 Electrical	1×10 ⁵ ops. (See Note 3)	

特性参数 Characteristics		
吸合/释放时间 Operate / Release Time	10ms. typical / 5ms. typical	
绝缘电阻 Insulation Resistance	100MΩ, at 500VDC, 50%RH	
抗电强度 Dielectric Strength	500Vrms, 1 min	
冲击 Shock Resistance	10g, 11ms.	
振动 Vibration Resistance	双振幅 DA 1.5mm, 10-55Hz	
跌落 Drop Resistance	可承受1米高, 向水泥地面的跌落 Drop Resistance 1M height drop on concrete	
环境温度 Ambient Temperature	工作 Operating: -30°C to 85°C; 储存 Storage: -40°C to 100°C	
重量 Weight	约 Approx 13g	



订货标志 Ordering Code						
YH508/	006	2Z	1	A	G	-P
型号 Model / 无 None/ 标准 (波峰焊用) M: SMC (回流焊用)						
线圈电压 Coil Voltage/	见线圈参数表 See Coil Data					
触点形式 Contact Form/	2Z: 二组转换 2 Form C					
封装形式 Version/	1: 密封 Sealed; 2: 防尘罩 Dust Cover					
触点材料 Contact Material/	无 None; AgNi10; A: AgNi0.15; C: AgCdO; S: AgSnOInO					
触点间隙 Contact Gap/	无 None: 标准 Standard; G: 大间隙 Big Gap					
环保要求 Environmental Protection/	无 None: 含铅 Lead; P: 无铅 (RoHS)					

外形图, 底视开孔尺寸图, 接线图 Overall Dimensions, Mounting Holes (Bottom View), Wiring Diagrams



说明 Notes:

1. 以上参数除另有规定外均以室温23度为准。
All parameters, unless otherwise specified, are measured at ambient temperature 23°C.
2. 最大接通电流指灯载浪涌电流。
Maxmun make current refers to inrush current of lamp load.
3. 电气寿命为电机负载, 堵转电流25A, 13.5VDC, 工作频率6次/分
Electrical life obtained at motor load of locked rotor at 25A, 13.5VDC with operating of 6ops/min.
4. 型号对照: Equivalence: Fujitsu FBR510-520

本公司产品规格书仅供客户参考使用, 若有更改恕不另行通知
This datasheet is for the customer reference. All the specifications are subject to change without notify