



型号
Model

YH234A



特性
Main Features
30A持续电流能力
30A Continuous current capacity
结构牢固, 适用于汽车应用
Firm structure,
use for automotive oriented
有敞开型, 密封型, 防尘罩型
Available with open
dust cover and sealed version

典型应用
Typical automotive Applications
排气电机
Ventilation motor
间歇雨刮
Interval wipercontrol
报警系统
alarm system
惯性阀控制
Inertia valve control
电动车窗
Power window
后窗加热
Rear window heating
安全报警系统
Safety belt alarm system

线圈参数 Coil Data

线圈代号 Coil Voltage Code	额定电压 Nominal Voltage (VDC)	线圈电阻 Coil Resistance (Ω)±10%	功耗 Power Consumption (W)	最大吸合电压 Must Operate Voltage max. (VDC)	最大允许电压 Allonable Voltage (VDC)	最小释放电压 Must Release Voltage min. (VDC)
006	6	27	1.5	3.6	11.7	0.6
012	12	97		7.2	11.7	1.2
024	24	380		14.4	43.9	2.4

触点参数 Contact Data

触点形式 Contact Form		一组常开 H 1 Form A	一组常闭 D 1 Form B	一组转换 Z 1 Form C
最大通断电流 Max.Switching Current	接通 Make	60A	45A	NO60A/NC30A
	断开 Break	30A	20A	NO30A/NC15A
最大持续电流 Max.Continuous Current		30A	20A	NO30A/NC15A
最大开断电压 Max.Switching Voltage		75VDC		
最小负载 Min Load		0.1A, 12VDC (AgNi10; AgNi0.15) 0.5A, 12VDC (AgCdO; AgSnOInO)		
材料 Material		AgNi10; AgNi0.15; AgCdO; AgSnOInO		
起始接触电阻 Initial Contact Resistance		100mΩ, max, at 0.1A, 6VDC		
寿命 Service Life	机械 Mechanical	1×10 ⁵ ops.		
	电气 Electrical	2×10 ⁵ ops.		

特性参数 Characteristics

吸合/释放时间 Operate / Release Time		9ms. typical / 7ms. typical
绝缘电阻 Insulation Resistance		100MΩ, at 500VDC, 50%RH
抗电强度 Dielectric Strength		500Vrms. 1 min.
冲击 Shock Resistance		20g, 11ms.
振动 Vibration Resistance		双振幅 10-40Hz: DA 1.27mm; 40-70Hz: 5g; 70-100Hz: DA 0.5mm; 100-500 Hz: 10g
环境温度 Ambient Temperature		Operating: -40°C to 125°C; Storage: -40°C to 155°C 工作 储存
重量 Weight		敞开式 Open: 20g; 防尘式 Covered: 26g approx.

订货标志 Ordering Code

YH234A/ 006- H 1 S -P

型号 Model

线圈电压 Coil Voltage/ 见线圈参数表 See Coil Data

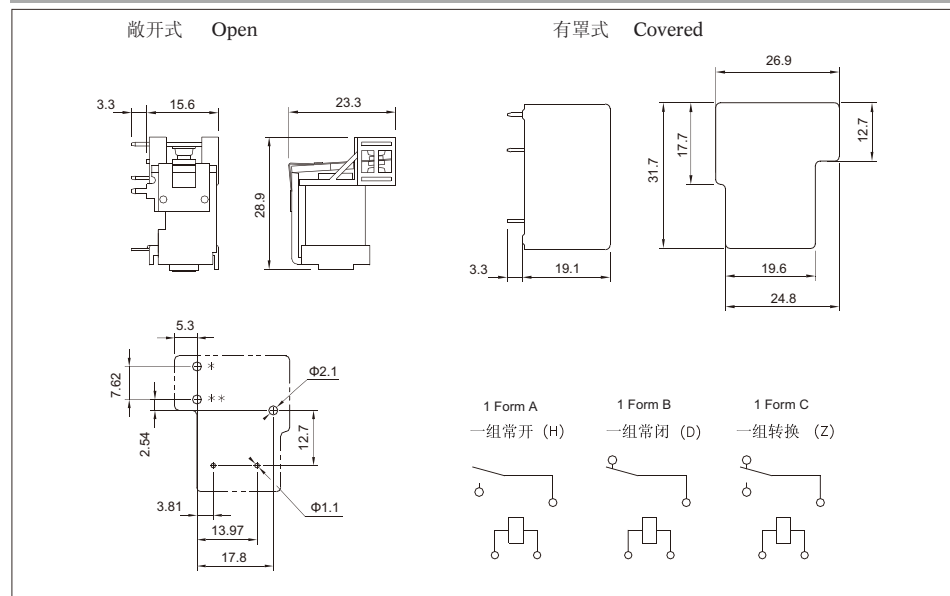
触点形式 Contact Form/ H: 一组常开 1 Form A D: 一组常闭 1 Form B Z: 一组转换 1 Form C

封装形式 Version/ 1: 密封 Sealed; 2: 防尘罩 Dust Cover

触点材料 Contact Material/ 无 None: AgNi10; A: AgNi0.15; C: AgCdO; S: AgSnOInO

环保要求 Environmental Protection/ 无 None: 含铅 Lead; P: 无铅(RoHS)

外形图, 底视开孔尺寸图, 接线图 Overall Dimensions, Mounting Holes(Bottom View), Wiring Diagrams



说明 Notes:

- 以上参数除另有规定外均以室温23度为准。
(All parameters, unless otherwise specified, are measured at ambient temperature 23°C.)
- 在底视开孔图中, A规格不用*号孔, B规格不用**号孔。
In mounting Holes drawing, the * hole is not needed for 1 Form A (1H), the ** hole is not needed for 1 Form B (1D).
- 最大通断电流指示灯负载的涌入电流。
Maximum make current refers to inrush current of lamp load
- 在环境温度85°C时, 最大允许电压应降至35度的72%。
At ambient temperature of 85°C, Maximum allowable voltage should be reduced to 72% of 23°C
- 电气寿命的条件是阻性或感性负载30A, 15VDC, 触点接适当的灭弧电路。
Electrical life obtained at resistive or inductive load at 30A, 15VDC with suitable arc-suppression circuit attached with operating frequency of 1 ops 1 sec
- 型号对照: Equivalence: P&B T90H/T90R