



型号
Model

YH520



**特性
Main Features**

超小型设计, 重量极轻
Ultraminaturized design,
extremely light weight
最大持续电流为30A
30A maximum continuous current

**典型应用
Typical automotive Applications**

电机控制
Motor control
车灯控制
Lamp control
雨刮控制
Interval wiper control
后窗和座椅加热
Rear window and seat heating

线圈参数		Coil Data					
类型 Model	线圈代号 Coil Voltage Code	额定电压 Nominal Voltage (VDC)	线圈电阻 Coil Resistance (Ω)±10%	功耗 Power Consumption (W)	最大吸合电压 Must Operate Voltage max. (VDC)	最大允许电压 Allowable Voltage (VDC)	最小释放电压 Must Release Voltage min. (VDC)
标准 Standard	006	6	64	0.55	3.5	13.2	0.6
	010	10	181		5.7	22	1.0
	012	12	254		6.9	26	1.2
D	006	6	45	0.8	3.5	10	0.6
	010	10	125		5.7	16	1.0
	012	12	181		6.9	22	1.2

触点参数		Contact Data	
材料	Material	AgNi0.15; AgSn0InO	
起始接触电阻	Initial Contact Resistance	100mΩ, max, at 0.1A, 6VDC	
触点形式	Contact Form	一组常开 H 1 Form A	一组转换 Z 1 Form C
		常开 NO	常闭 NC
最大通断电流	Max.Switching Current	接通 Make	50A
		断开 Break	25A
最大持续电流	Max.Continuous Current	30A	25A
最大通断电压	Max Switching Voltage	16VDC	
最小负载	Min. Load	AgNi0.15: 0.1A/12VDC; AgSn0InO: 0.5A/12VDC	
寿命	Sevice Life	机械 Mechanical	1×10 ⁷ ops.
		电气 Electrical	1×10 ⁷ ops.

特性参数		Characteristics	
吸合/释放时间	Operate / Release Time	3ms. typical / 1.5ms. typical	
绝缘电阻	Insulation Resistance	100MΩ, at 500VDC, 50%RH	
抗电强度	Dielectric Strength	500Vrms, 1min	
冲击	Shock Resistance	30g, 6ms	
振动	Vibration Resistance	6g, 10-55Hz	
跌落	Drop Resistance	可承受1米高, 向水泥地面的跌落 Drop Resistance 1M height drop on concrete	
环境温度	Ambient Temperature	工作 Operating: -40°C to 105°C;	储存 Storage: -40°C to 155°C
重量	Weight	约4g Approx 4g	

订货标志 Ordering Code

YH520/ 006- H 1 A D -P

型号 Model/ 无 None/ 标准(波峰焊用)
M: SMC (回流焊用)

线圈电压 Coil Voltage/ 见线圈参数表 See Coil Data

触点形式 Contact Form/ H: 一组常开 1 Form A;
Z: 一组转换 1 Form C

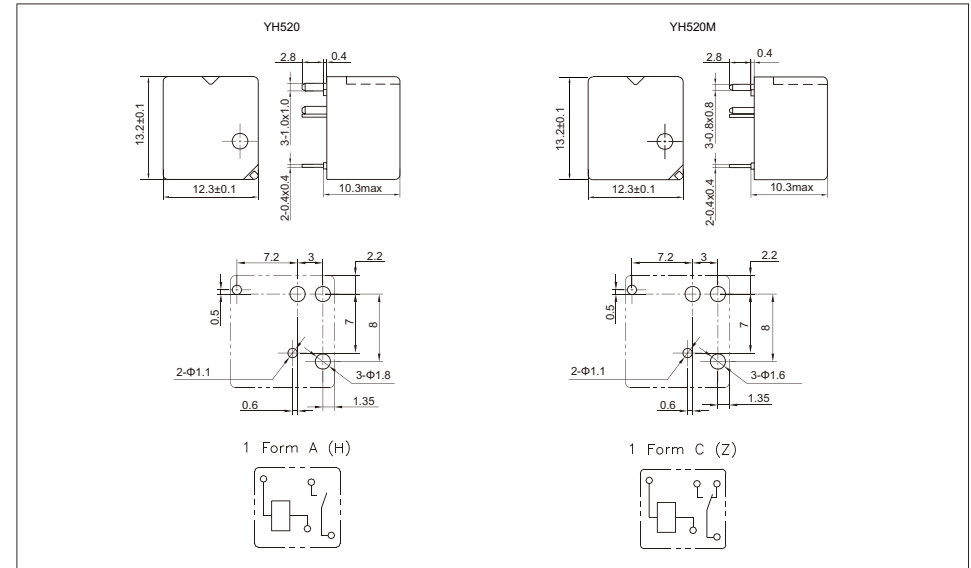
封装形式 Version/ 1: 密封 Sealed; 2: 防焊剂 Flux Free

触点材料 Contact Material/ A: AgNi0.15; S: AgSn0InO

线圈灵敏度 Coil Sensitivity/ 无 None: 0.55W(标准) Standard; D: 0.8w(D型)

环保要求 Environmental Protection/ 无 None: 含铅 Lead; P: 无铅(RoHS)

外形图, 底视开孔尺寸图, 接线图 Overall Dimensions, Mounting Holes(Bottom View), Wiring Diagrams



说明 Notes:

- 以上参数除另有规定外均以室温23度为准。
All parameters, unless otherwise specified, are measured at ambient temperature 23°C.
- 最大接通电流指灯载浪涌电流。
Maximun make current refers to inrush current of lamp load.
- 在环境温度85度时最大允许电压应降低到原值的72%。
At ambient temperature of 85°C, Maximum allowable voltage should be reduced to 72%.
- 电气寿命的条件是在常开触点上加阻性负载20A, 13.5VDC, 工作频率6次/分。
Electrial life obtained at resistive load at 20A, 13.5VDC on NO contacts with operating frequency of 6 ops/min.
- 为获得最长的电气寿命, 请在清洗工序之后去除密封型外罩上的凸台。
To exert optimum electrical life, please remove the knock-off nib of sealde version after cleaning process.
- 型号对照Equivalence: Tyco Microk